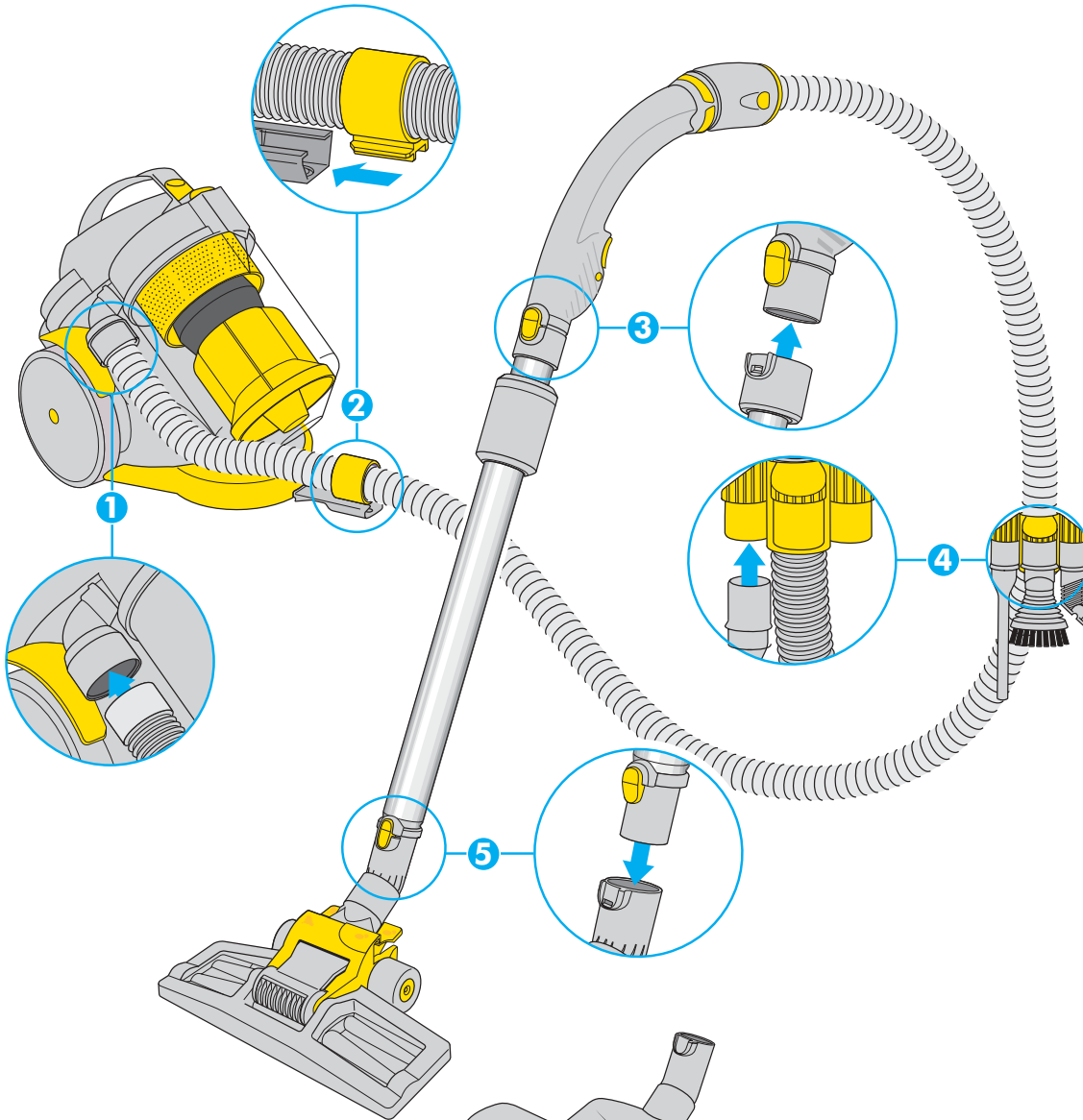
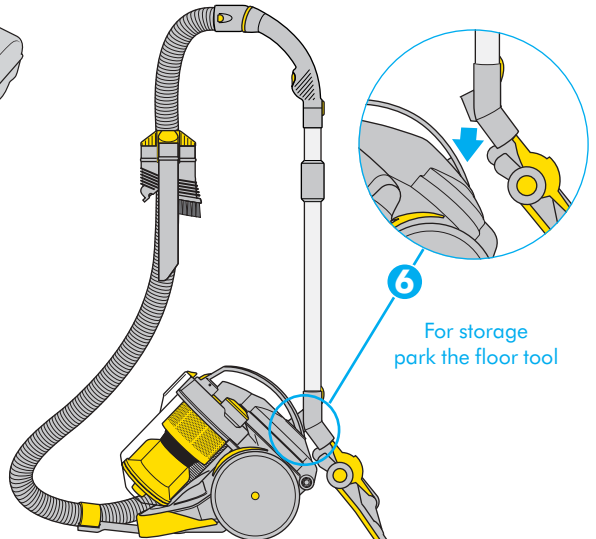
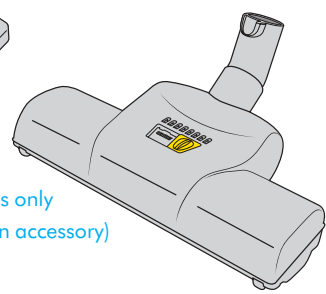


# 1 Assembling your Dyson



Turbobrush on selected models only  
(available as an accessory)



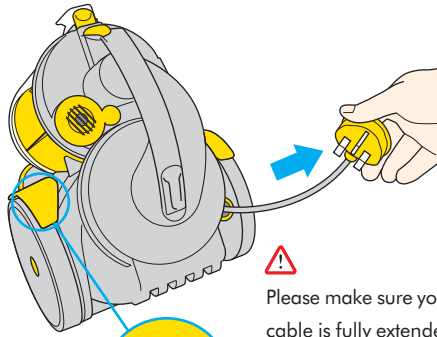
User guide


dyson

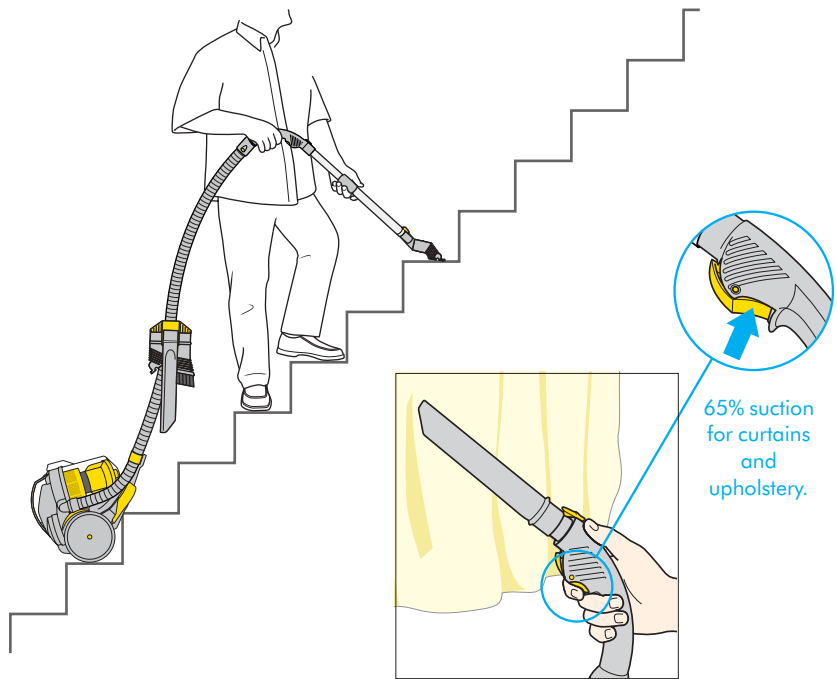
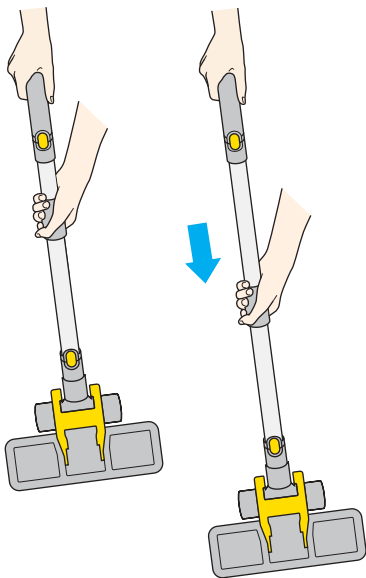
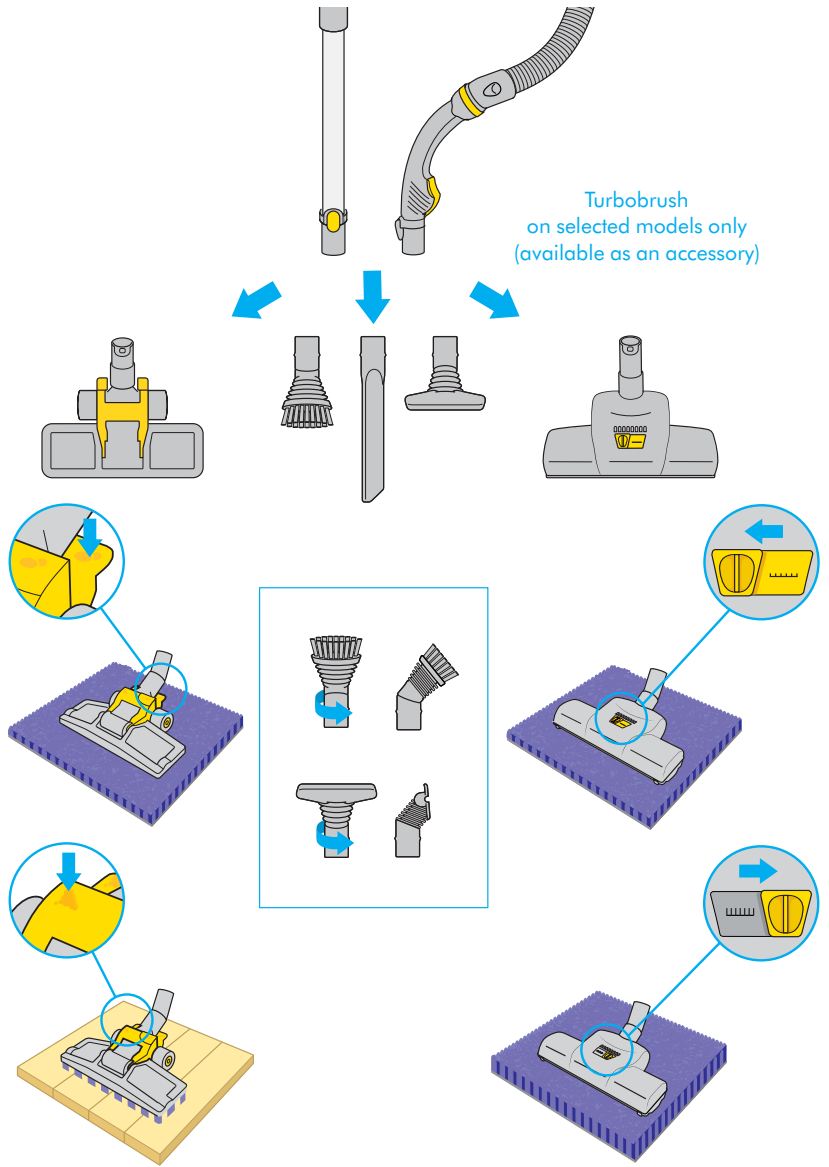
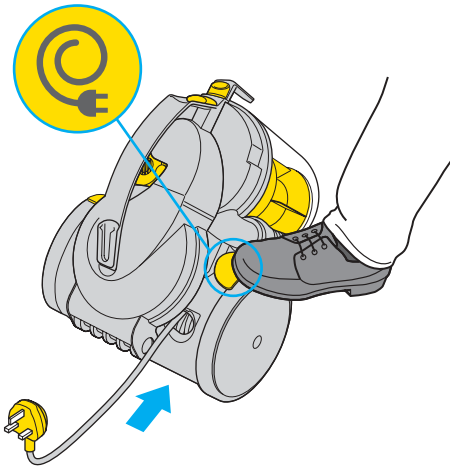
www.dyson.com




# 2 Operating your Dyson

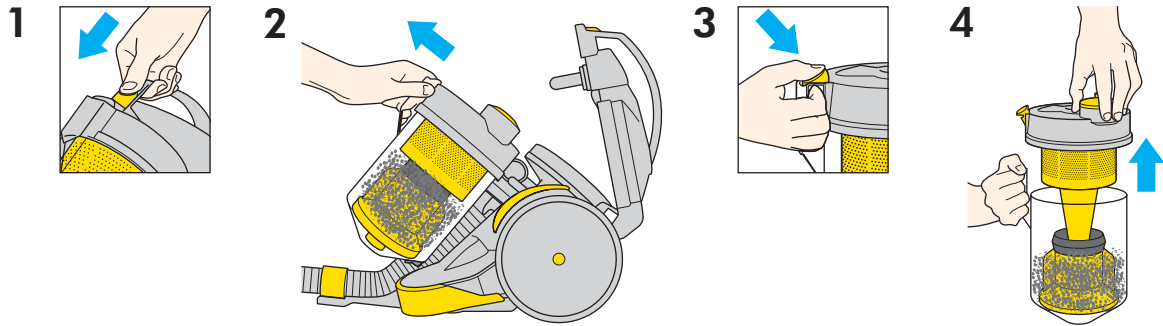
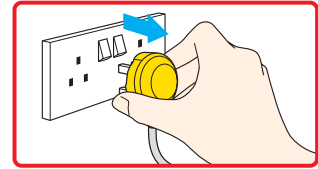


 Please make sure your cable is fully extended before use.

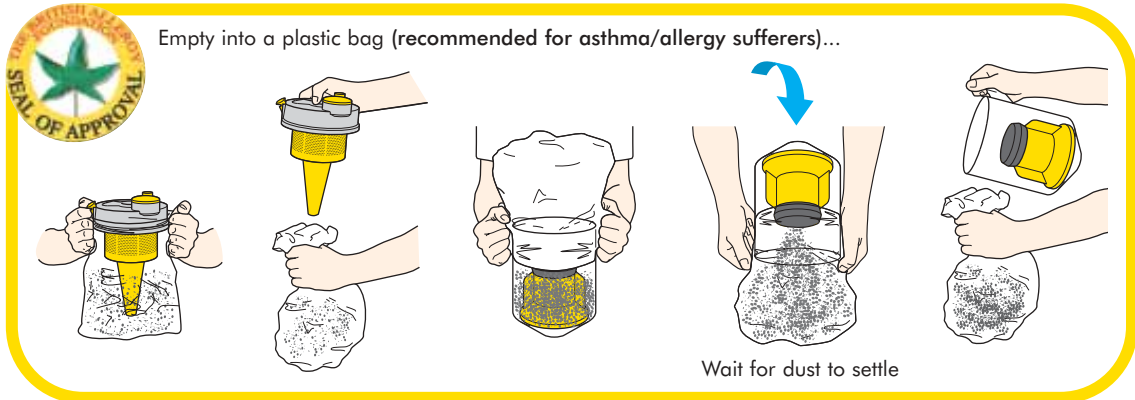


 Your DCO5 sits on the stairs, however for your safety always work above the cleaner on the stairs. Unplug the cleaner when not in use. Turn the cleaner off before unplugging from the mains.

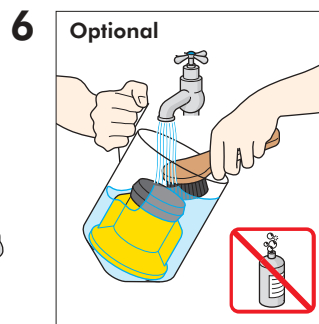
# 3 Emptying your clear bin™



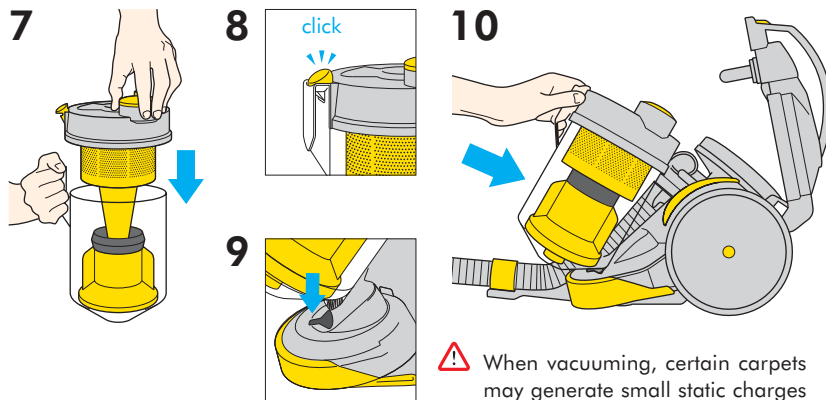
## 5 Empty into a plastic bag (recommended for asthma/allergy sufferers)...



...or directly into a dustbin.



- ⚠ You may rinse the clear bin™ with cold water.
- Do not use detergents.
- Do not immerse the whole cleaner in water.
- Do not remove bin inner or cone seals.
- Ensure completely dry before replacing.



⚠ When vacuuming, certain carpets may generate small static charges in the clear bin. These are entirely harmless and are not associated with the mains supply.



The British Allergy Foundation considers that this product may in proper use reduce exposure to both House Dust Mite (Der p 1) and Cat Allergen (Fel d 1). It is strongly recommended that a sensitive person should take care when emptying the clear bin™. We recommend the manufacturers' emptying instructions should be strictly followed.

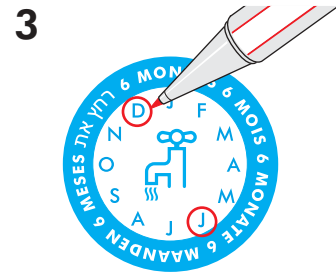
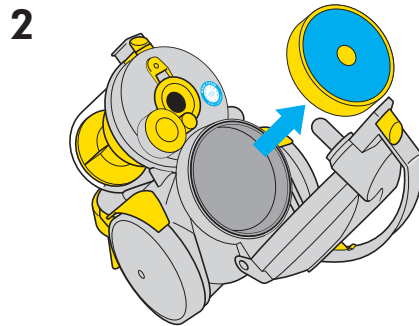
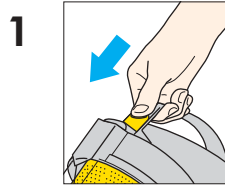
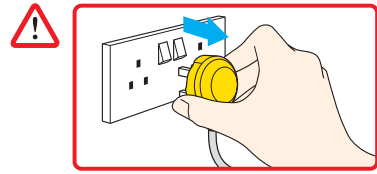
Assessment carried out by BAF indicate that an individual's exposure can be reduced but this does not mean that an individual's allergic symptoms will necessarily diminish. BAF's opinion applies only to the products and allergen stated. The product should be used only for its intended purpose and strictly in accordance with the manufacturers' instructions at all times.

Exposure to allergen can be dangerous. If you believe that you may suffer from an allergy you should seek medical advice. The British Allergy Foundation is a national charity (Charity Reg. No. 1003726) founded in 1991 with the aim of improving awareness, prevention and treatment of allergy.

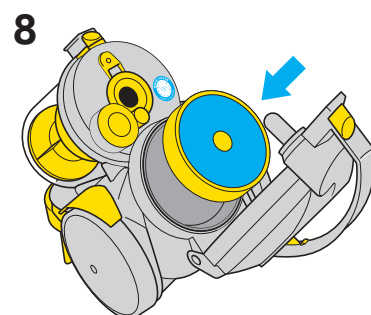
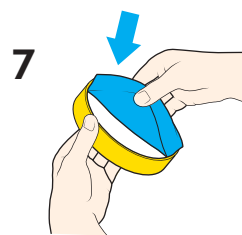
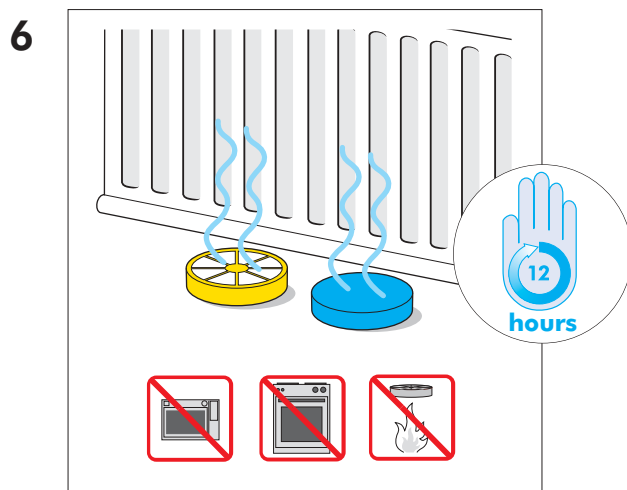
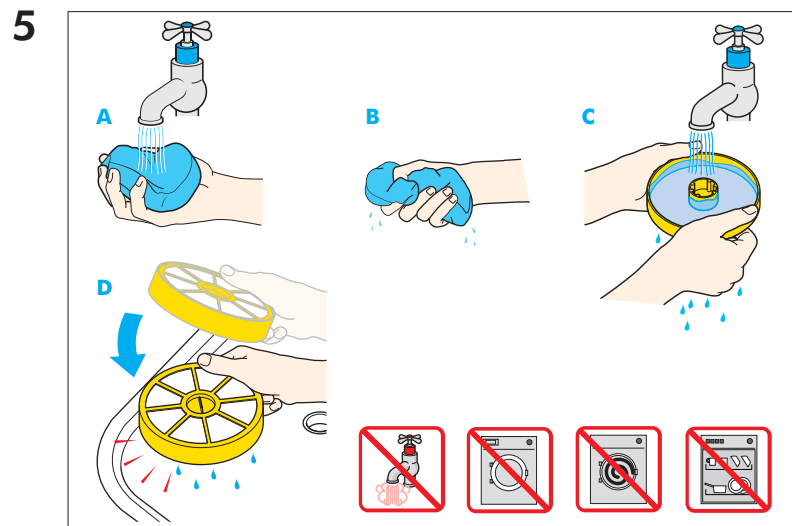
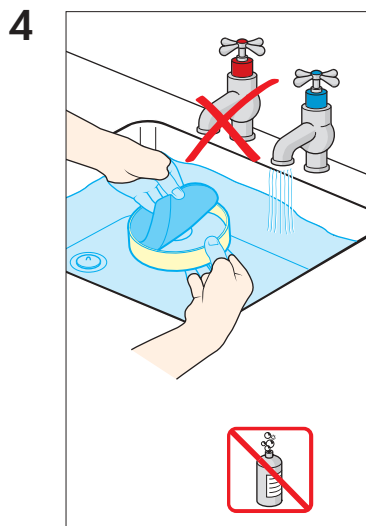
The Foundation continually strives to help sufferers to help themselves, often seeking to avoid or reduce exposure to relevant allergens. The Seal of Approval scheme forms a part of this initiative.


# 4

## Washing your pre-motor filter

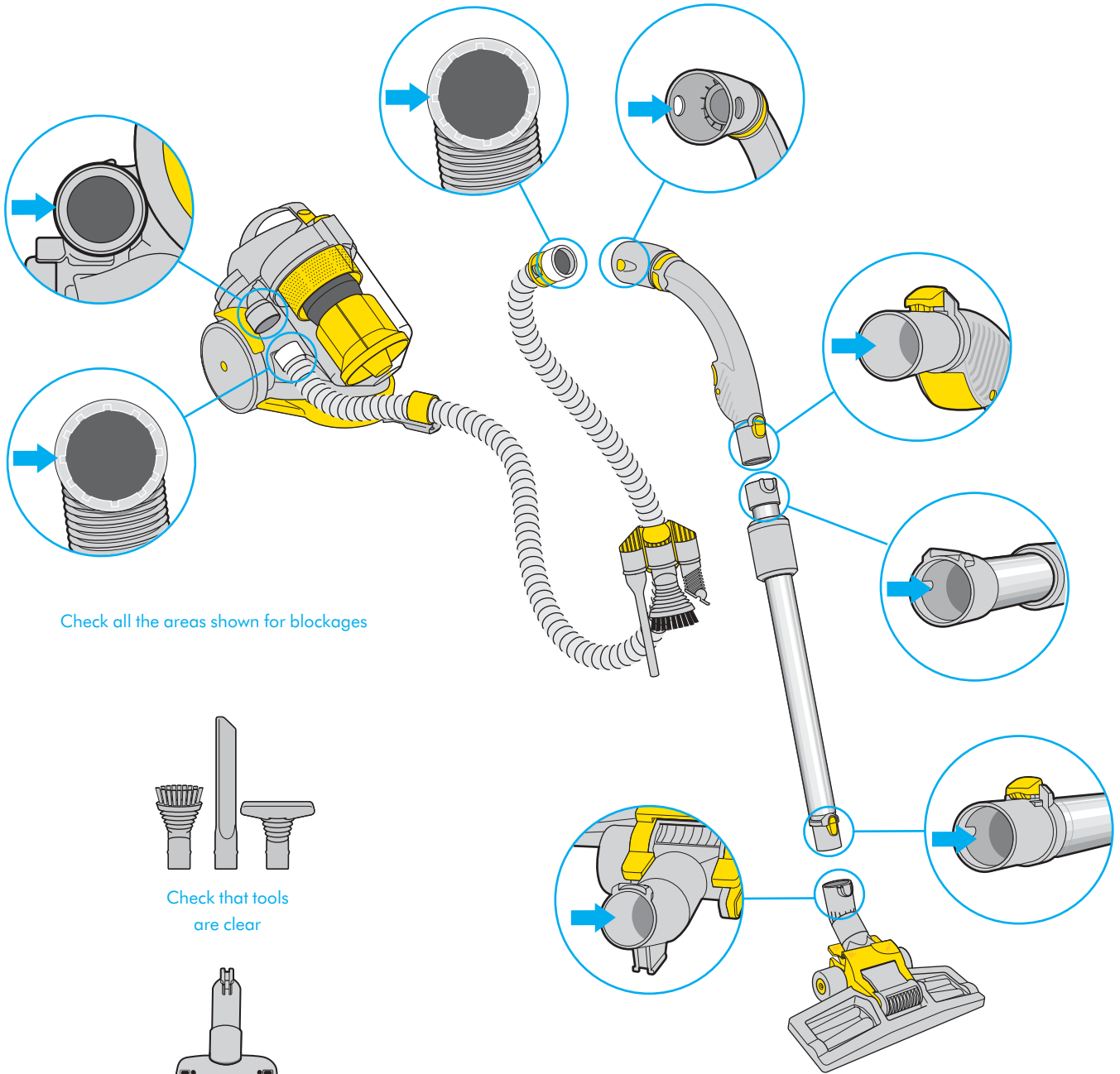
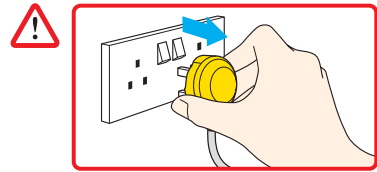


Circle your 2 six monthly washes

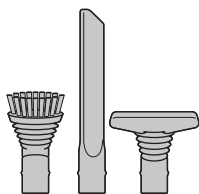


 Make sure filter is completely dry before placing back in the machine. Allow 12 hours for it to dry.

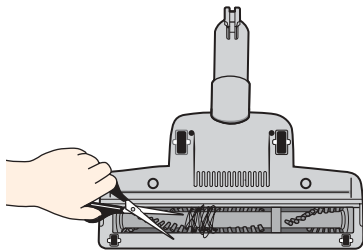
# 5 Finding and clearing blockages




Check all the areas shown for blockages



Check that tools are clear

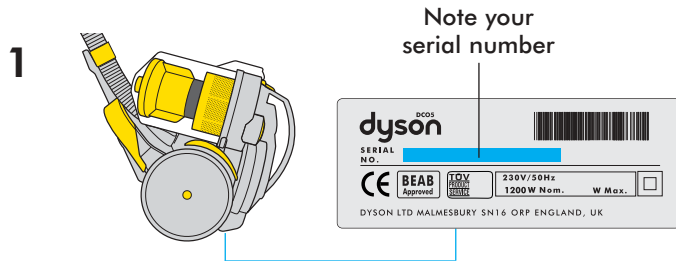


Clear brushbar on Turbobrush

 Should any part of your machine become blocked it may overheat and will stop due to a thermal cut-out. Leave to cool down for 30 minutes.

# 6

## Dyson Customer Care



- UK** 08705 275 104 7 days a week 8am - 8pm Dyson Ltd, Tetbury Hill, Malmesbury, Wiltshire SN16 ORP. e-mail: service@dyson.com
- IE** (01) 475 7109 Dyson ROI, Unit 2 Baldonnell Business Park, Naas Road, Co. Dublin
- AU** 1800 239766 Dyson Appliances (Aust.) Pty. Ltd., Unit 8, 7-11 Parraweena Road, Taren Point, Sydney 22 29
- NZ** 0800 397 667 Avery Robinson Ltd., PO Box 18-057, Glen Innes, Auckland

### Important

- Check that your electricity supply corresponds to that shown on the rating plate. The appliance must only be used as rated.
- If the supply cable of the appliance is damaged, disconnect the appliance from the socket outlet immediately. The supply cable must be replaced only by Dyson Ltd. or their appointed agent, as special purpose tools and service techniques are required.
- Do not use the cleaner if the cable or plug are damaged or if the cleaner has been damaged, dropped or has come into contact with water or any other liquid. In these cases, contact the Helpline.
- When vacuuming, certain carpets may generate small static charges in the clear bin. These are entirely harmless and are not associated with the mains supply. To minimise any effect from this, do not put your hand or insert any object into the clear bin unless you have first emptied it and rinsed it out with cold water.
- Do not continue to use the cleaner if any part appears to be faulty, missing or damaged.
- Do not carry out any maintenance work other than that shown in this manual and do not put anything into the openings or moving parts of the machine.
- Only use parts produced or recommended by Dyson: failure to do so could invalidate your guarantee.

**European conformity information:** a sample of this product has been tested and found to be in conformity with the following European Directives: 73/23/EEC Low voltage (safety)

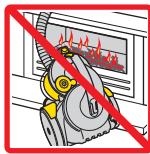
### For your safety



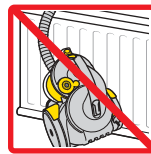
Do not pull on supply cable.



Do not use cleaner above you on the stairs.



Do not use cleaner near naked flames.



Do not leave cleaner near heat sources.



Do not place hands under brushbar when in use.



Do not use cleaner to pick up water or any other liquid.



Do not run over supply cable.



Do not use cleaner to pick up burning objects of any kind.

This product is protected by the following Intellectual Property Rights:

US 4 593 429, US 5 078 761, US 5 558 697, US 5 160 356, US 5 853 440, US 5 89 39 36, US 5 85 80 38, US 5 89 39 38, US 59 374 77, CA 1 182 613, CA 1 241 158, CA 2 056 161, CA 2 138 985, CA 2 209 071, CA 2 209 138, CA 2 211 828, CA 2 221 498, CA 2 222 537, EP 0 918 481, EP 0 636 338, EP 0 489 565, EP 0 647 114, EP 0 800 359, EP 0 800 360, EP 0 799 094, EP 0 799 093, EP 0 805 643, JP 10-510756, JP 10-510757, JP 1948863, JP 08-520310, JP 08-520311, JP 08-522721, AU 703206, AU 637272, AU 669539, AU 691710, AU 697029, AU 695149, AU 695399, WO 98/02080, WO 99/56608, WO 99/56609, WO 00/04816, WO 00/24519, GB 00 09660.2, GB 00 23731.3, GB 00 23732.1, UK Reg Des 2 076 207, 2 099 794.

Equivalent patents, registered designs and applications exist in other countries.